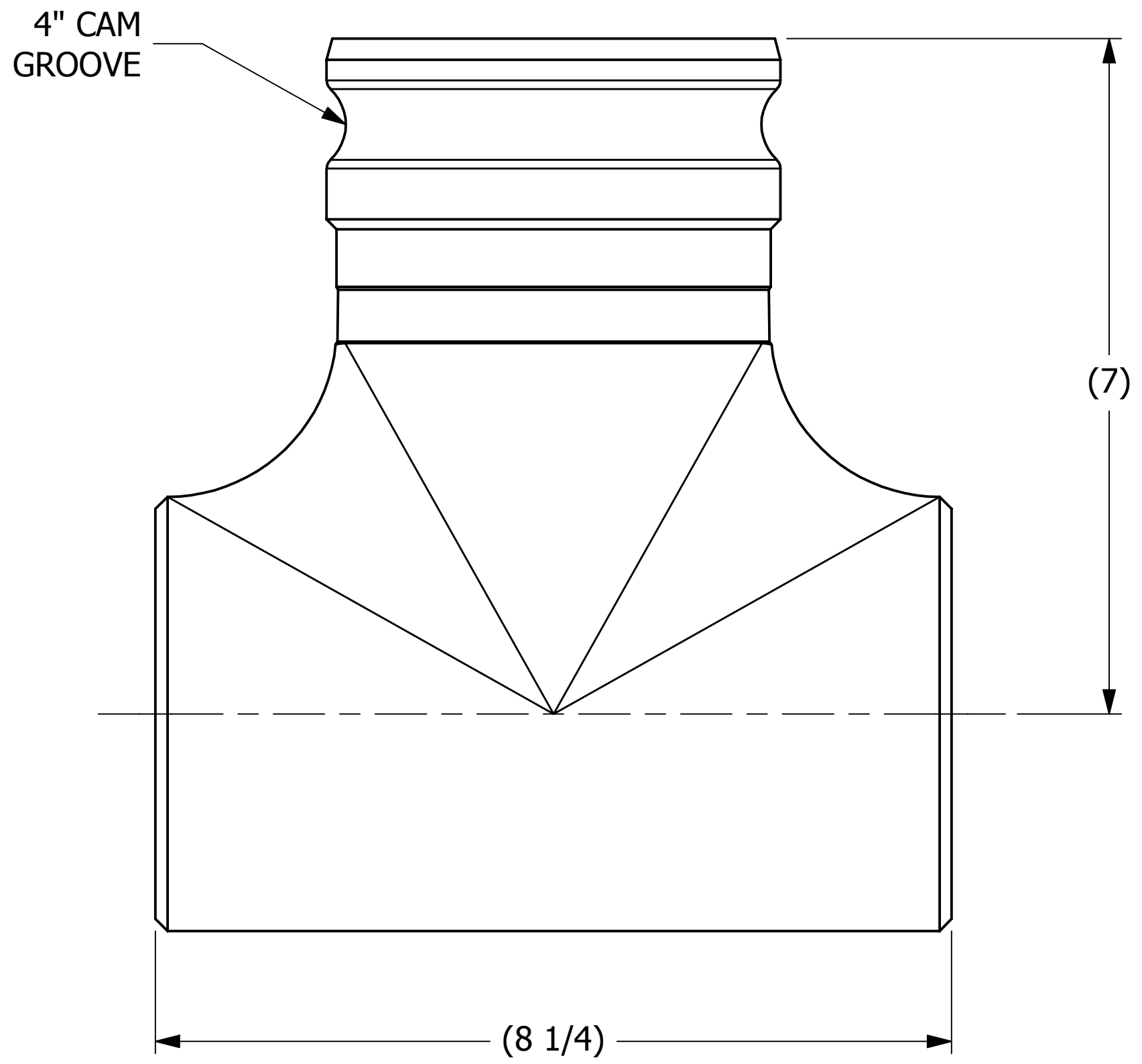
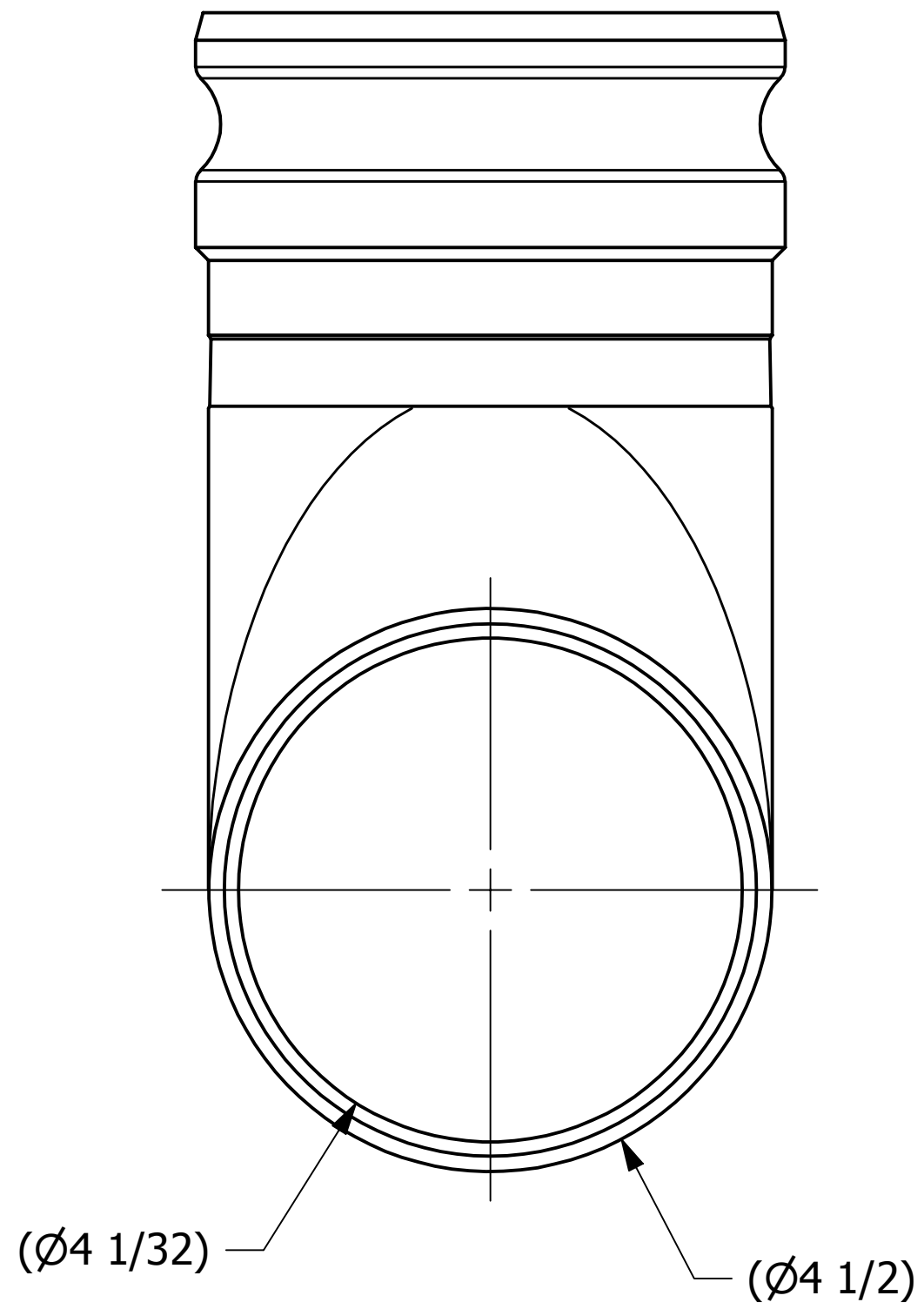


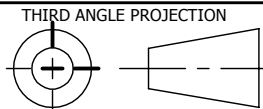
SALES DRAWING SALES DRAWING

SALES DRAWING SALES DRAWING



THIS PRINT, PROPERTY OF SALCO PRODUCTS INC., CONTAINS PROPRIETARY INFORMATION AND MUST NOT BE COPIED, REPRODUCED, OR USED DETRIMENTALLY TO OUR INTEREST.

UNLESS OTHERWISE SPECIFIED  
 DIMENSIONAL TOLERANCES  
 FRACTIONAL:  $\pm 1/16$   
 X.XX:  $\pm .03$   
 X.XXX:  $\pm .015$   
 ANGLE:  $\pm 1^\circ$   
 DEBURR ALL SHARP EDGES.  
 ALL MACHINED SURFACES TO  
 HAVE A 125 RMS FINISH UNLESS  
 NOTED OTHERWISE.



DRAWN BY:	BG
CHECKED BY:	WRB
PROTOTYPE BY:	BG
PROTOTYPE DATE:	1/9/2017
APPROVED FOR PRODUCTION BY:	EJF
PRODUCTION DATE:	4/7/2017

REV	WEB	DATE	DESCRIPTION
A	WEB	4-7-17	RELEASED FOR PRODUCTION

**SALCO PRODUCTS, INC.**

PART NAME: **PIPE TEE 4"**

MATERIAL: **ALUMINUM**

PROJECT #: **110903** SHEET #: **1 OF 1** SCALE: **1:1**

DRAWING #: **C31539** PART #: **PD4ABT01**